

FIG 1

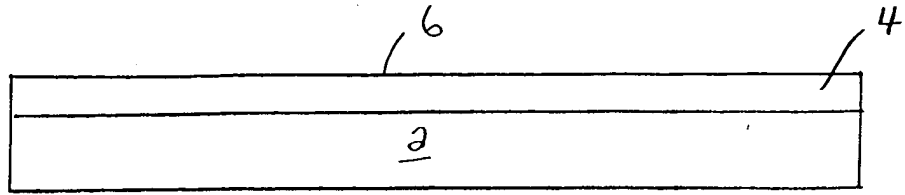


FIG 2

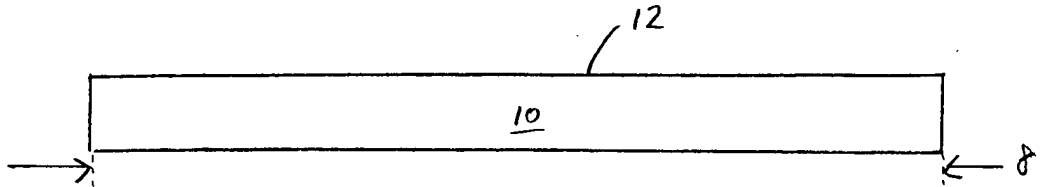


FIG 3

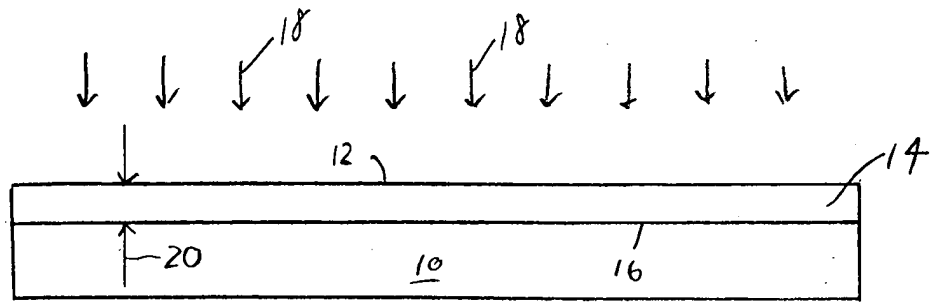


FIG 4

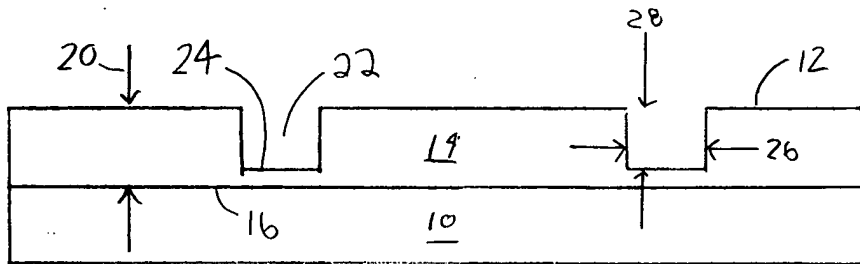


FIG 20-4921660

FIG 5

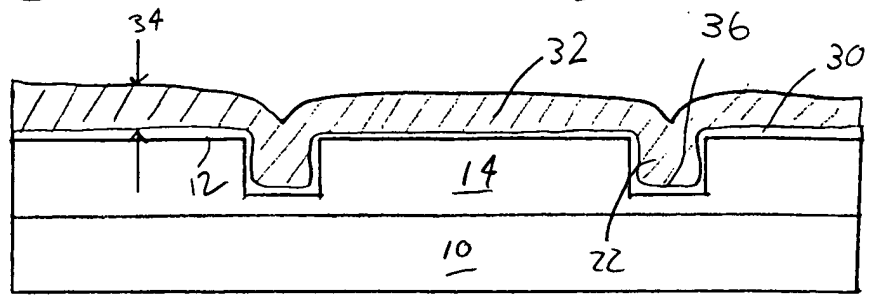


FIG 6

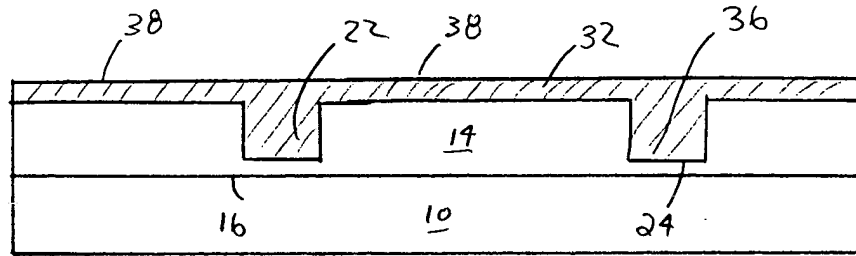


FIG 7

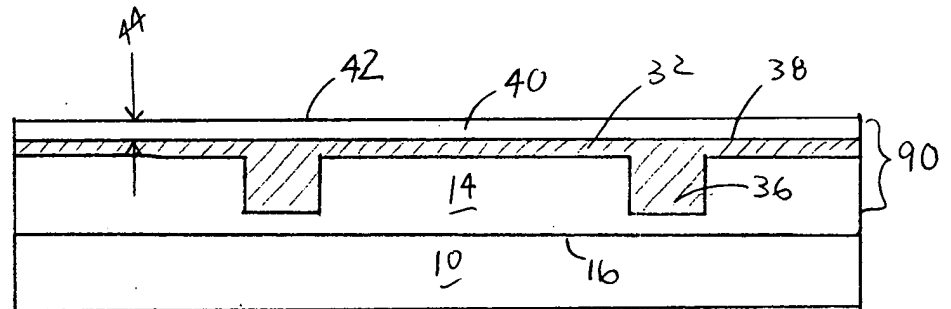


FIG 8

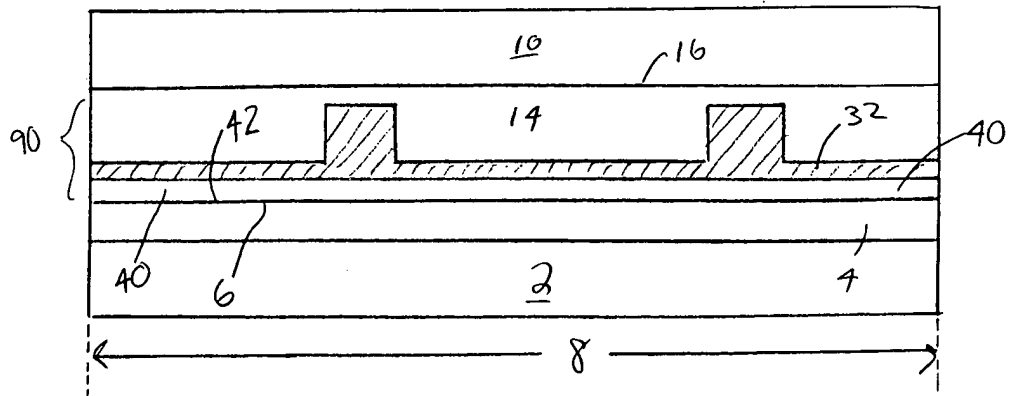


FIG 9

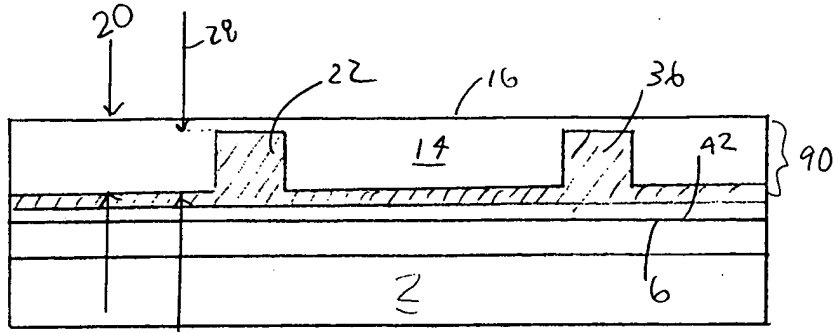


FIG 10

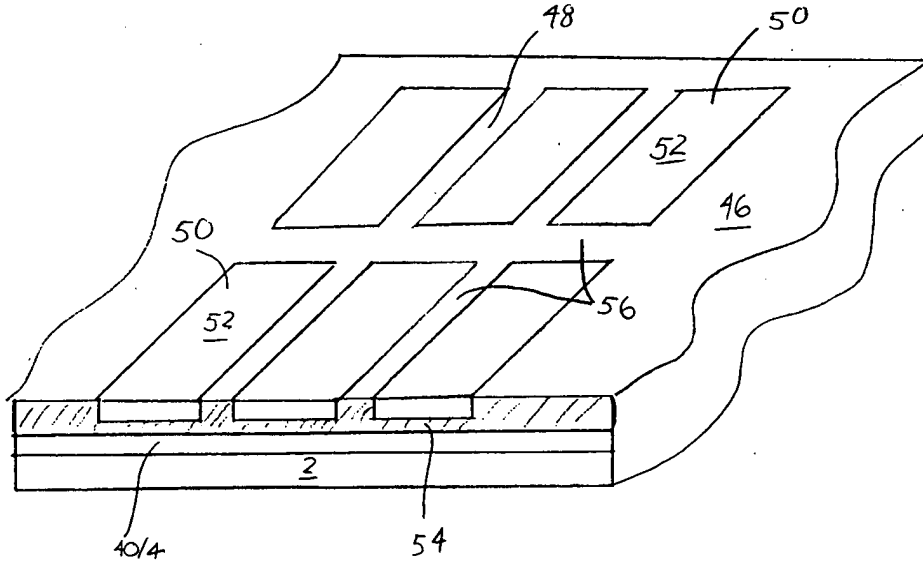
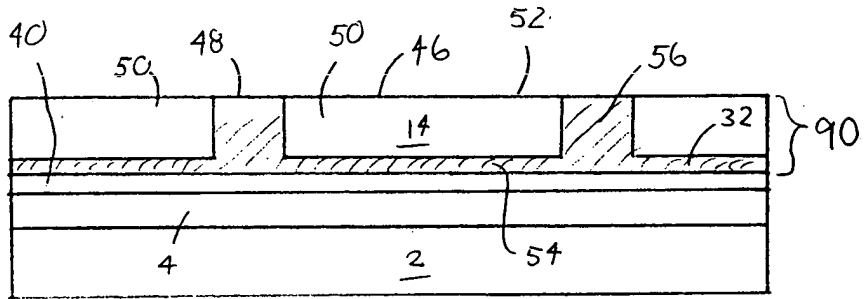


FIG 11

FIG 12

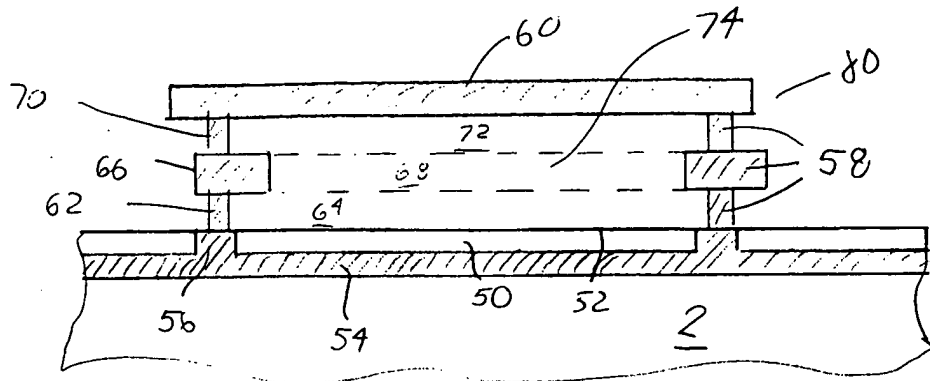


FIG 13

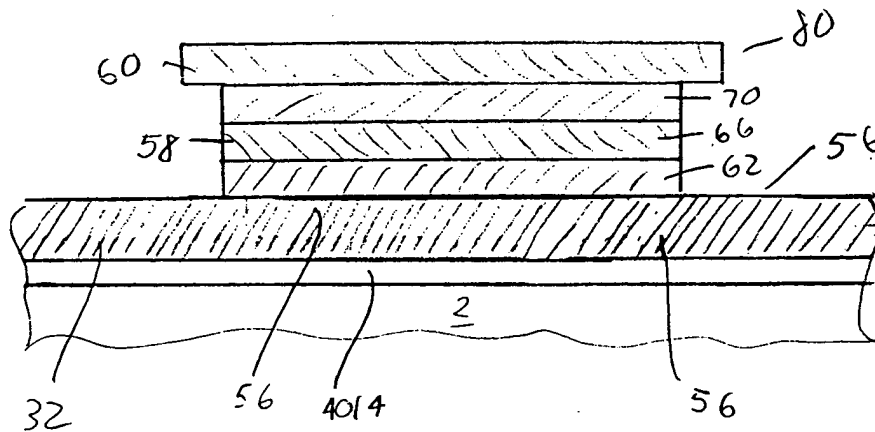
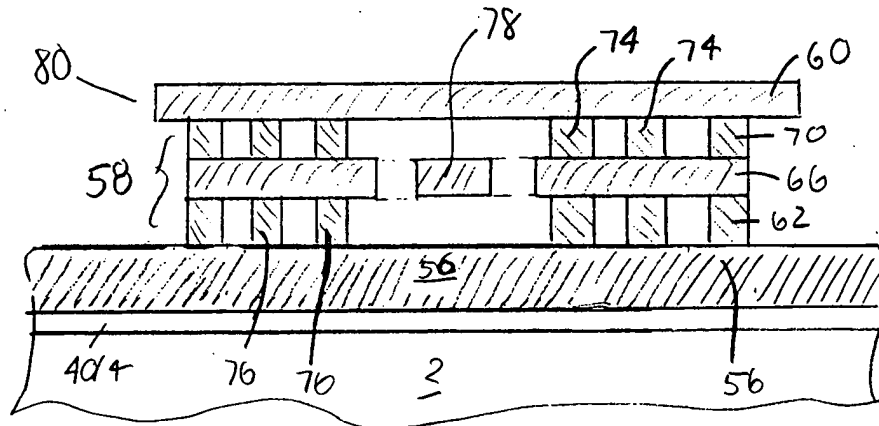


FIG 14



FORWARDED SHEET FOR